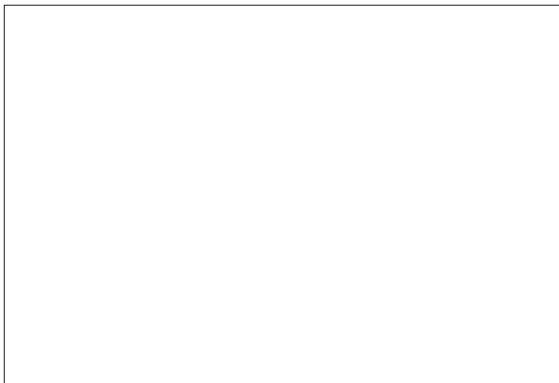


# SMDD-90H

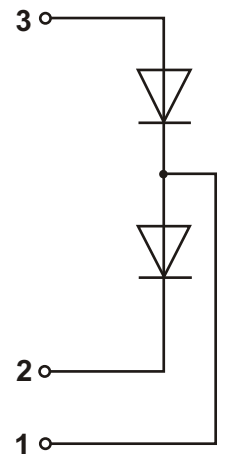
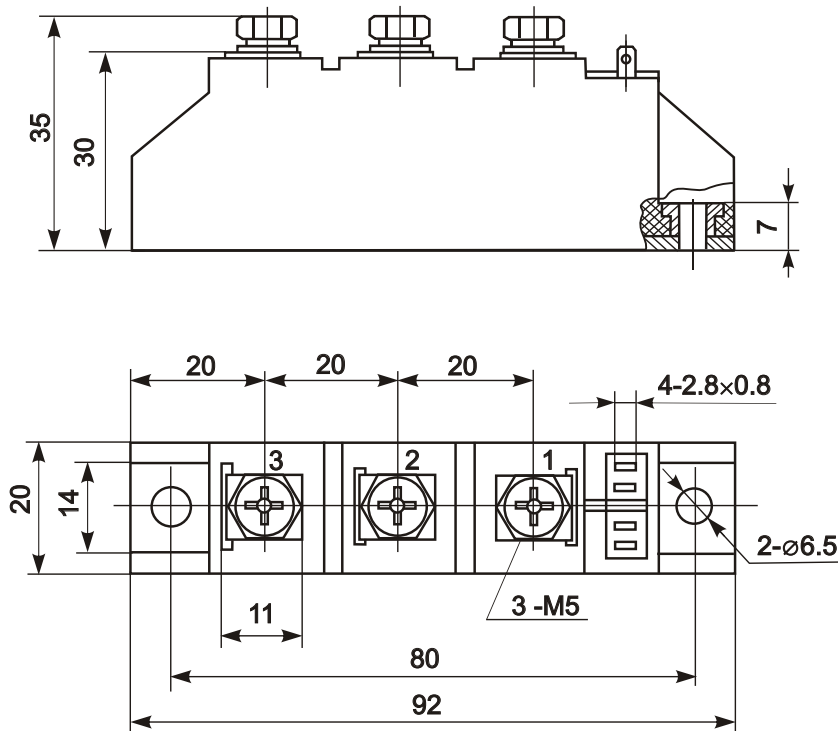


## Diode-Diode Module



Type	$V_{RSM}$	$V_{RRM}$
SMDD-90H-08	1000	800
SMDD-90H-12	1400	1200
SMDD-90H-14	1600	1400
SMDD-90H-16	1800	1600
SMDD-90H-18	2000	1800
SMDD-90H-20	2200	2000
SMDD-90H-22	2400	2200
SMDD-90H-24	2600	2400

Type	$I_{FAVM}$	$I_{FRMS}$	$T_c$	$I_{FSM}$	$i^2t$	$V_{TM}$	$I_{FM}$	$V_{FO}$	$r_F$	$T_{VJM}$	$V_{isol}$	$R_{thJC}$
	A	A	$^{\circ}C$	KA	KA <sup>2</sup> s	V	A	V	m $\Omega$	$^{\circ}C$	V	K/W
SMDD-90H	90	141	100	2.3	13.9	1.33	270	0.8	3	150	2500	0.47



### Features:

- Industrial standard package
- Heat transfer through aluminium nitride ceramic isolated metal baseplate
- Precise internal pressure contacts for high reliability
- 2500V RMS isolation voltage

### Typical Applications:

- DC power supply for instrument and equipment
- Power converters
- Electronic welders
- Lighting control